



DWM-311-GP 5G PoE Modem



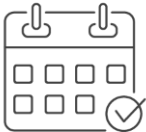
Key Features



Dual-SIM
Failover



Plug
& Play



WAN Status
Monitoring



PoE
PSE



Industrial
Grade Design



Management
Platform

D-Link's DWM-311-GP 5G PoE Modem offers cutting-edge 5G-NR and LTE dual-mode cellular connectivity. Equipped with a 2.5G Giga Ethernet port and supporting 802.3af/at PoE(PSE), this modem ensures rapid and reliable connection to any local device, providing both power and data over a single cable for streamlined deployment.

Reliable 5G Failover for M2M

The DWM-311-G 5G modem is specifically designed for real-time remote access, providing seamless connectivity across long distances for machines. This true plug-and-play system is perfect for small-scale deployments, ensuring hassle-free installation. It supports seamless 4G/5G switching and is equipped with dual SIM slots for failover, guaranteeing continuous connectivity even if one carrier network becomes unavailable. This ensures efficient and stable connectivity under any network coverage condition. Enhance local customer engagement through a reliable 5G network and VPN for security, for example, by delivering timely information, advertisements, and services. Optimize your operations and customer interactions effortlessly with our efficient technology solution.

Power Device via Ethernet

The DWM-311-GP features an one port 2.5G Ethernet interface and equipped with 802.3af/at PoE functionality that facilitates seamless connectivity to any Ethernet PD device, additionally it also equipped with PD equipment detection functionality. If a PD device fails to respond, the system will automatically power cycle, forcing a reboot of the PD device to ensure stable operation

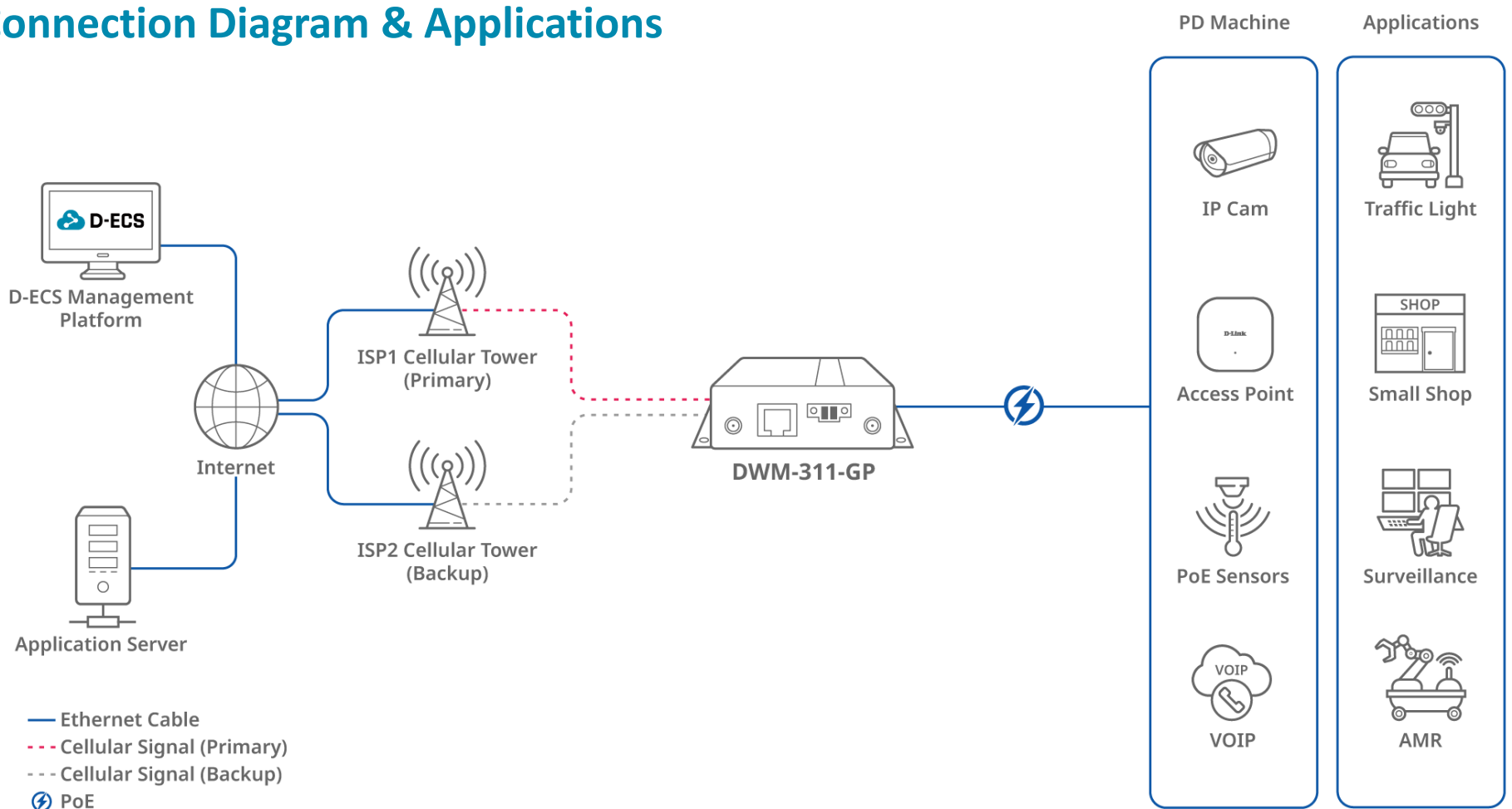
Applications

- Traffic Light
- Small Shop
- Surveillance
- AMR

Suitable for Harsh Environment

The DWM-311-GP is designed to withstand harsh environments with its metal casing ensuring durability and operates within a broad temperature range from -30 to 70°C. It supports PoE with a wide input voltage range of DC 50-57V. Additionally, the model features built-in Network Address Translation (NAT) and bridge mode, simplifying network setup while enhancing security and interconnectivity.

Connection Diagram & Applications



Specifications

Device Interface

- Cellular Module: 5G/4G 3GPP Rel. 16
- Cellular Standards: 5G NR(Sub-6GHz), 4G LTE(DL Cat.19/UL Cat.18)
- SIM Slot: 2* SIM (4FF Nano SIM)
- Ethernet: 1*RJ45 LAN 2.5GE with PoE-PSE 802.3at
- Power Input: DC 50-57V (TB)(2-pin)
- Antenna Connector: 4*SMA(F)-Cellular

Performance¹

- Maximum Cellular Data Throughput:
5G NSA : 3.4 Gbps (DL) / 550 Mbps (UL)
5G SA: 2.4 Gbps (DL) / 900 Mbps (UL)
LTE: 1.6 Gbps (DL) / 200 Mbps (UL)

WAN

- Cellular: NAT, Bridge
- Network Monitor: ICMP Checking

Network

- DHCP : DHCP Server
- Port Forward: Virtual Server
- DDNS: DynDNS, No-IP, Dynamic DO
- Routing: Static route, Routing information
- PoE: Power Control, ON/OFF by Network checking, Scheduled ON/OFF
- IPv4/v6

Security

- VPN Tunnel: OpenVPN, WireGuard
- VPN Usage: Client mode

Firewall

- Firewall: IPS
- Access Control: Packet Filter, URL Blocking, MAC Filter

Available Versions

SKU List³

EU SKU (HW: A1):

- **5G NR:**
n1/n3/n5/n7/n8/n20/n28/n38/n40/n41/n71/n75/n76/n77/n78
- **4G LTE:**
FDD: B1/B3/B5/B7/B8/B20/B28/B32/B71
TDD: B38/B40/B41/B42/B43

Administration

- Configuration: Web UI, SSH
- Management: D-Link D-ECS²
- System: FW Upgrade, Reboot & Reset, System Time, NTP Service
- Scheduling: reboot rule policy, working day
- SMS Service: SMS Inbox, SMS Event Management

Status

- Network Status: Connection information, Cellular Signal Quality
- Cellular Mobile: Cellular Modem Information/Status, Cellular Network Status, Cellular Signal Quality
- Client: Client List
- Security: VPN Status

Environment

- OP/Store Temp.:
Operating Temperature -30 to 70 °C (-22 °F to 158 °F)
Storage Temperature -40 to 85 °C (-40 °F to 185 °F)
- Humidity:
Operating Humidity 10% to 95% non-condensing
Storage Humidity 0 to 95% non-condensing
- Dimensions: 93 x 90 x 27 mm

Standard Package

- 4* Cellular SMA Antennas
- 1* RJ-45 Cable
- 1* Power Adapter
- 1* Terminal Block (2-pin)
- 1* DIN-Rail kit

Global/US SKU (HW: A2):

- **5G NR:**
n1/n2/n3/n5/n7/n8/n12/n13/n14/n18/n20/n25/n26/n28/n29/
n30/n38/n40/n41/n48/n66/n70/n71/n75/n76/n77/n78/n79
- **4G LTE:**
FDD: B1/B2/B3/B4/B5/B7/B8/B12/B13/B14/B17/B18/B19/B20/
B25/B26/B28/B29/B30/B32/B66/B71
TDD: B34/B38/B39/B40/B41/B42/B43/B46(LAA)/B48

Certifications & Approvals

Certification

- CE
- UKCA

¹ Data rates are theoretical. Data transfer rate depends on network capacity and signal strength.

² D-ECS License fees will apply.

³ Supported frequency band is dependent upon hardware SKU.

