

# DWM-550-G

## 5G M2M Router



### Key Features



**5G**  
SA & NSA



**Dual-SIM**  
Failover



**Eth and 4G/5G**  
Failover



**Wi-Fi 6**  
AX1800



**Industrial**  
Grade Design



**VPN**  
Security

### Applications

- Remote Branch
- Smart Bus Stop
- Popup and Booth
- Wi-Fi Hotspot

The DWM-550-G 5G M2M Router provides 5G-NR and 4G-LTE dual-mode connectivity. It is equipped with four gigabit Ethernet ports, one of which can be configured as an Ethernet WAN port. This allows easy switching between broadband and 4G/5G. Additionally, Wi-Fi 6 AX1800 connectivity is provided, making it suitable for a wide range of M2M applications.

### 5G M2M Network

The DWM-550-G is equipped with automatic WAN failover, superior connection capacity through its cutting-edge 5G NR (FR1) technology. This device supports both SA and NSA 5G architectures and is backward compatible with 4G and 3G, ensuring that throughput is high and latency is low.

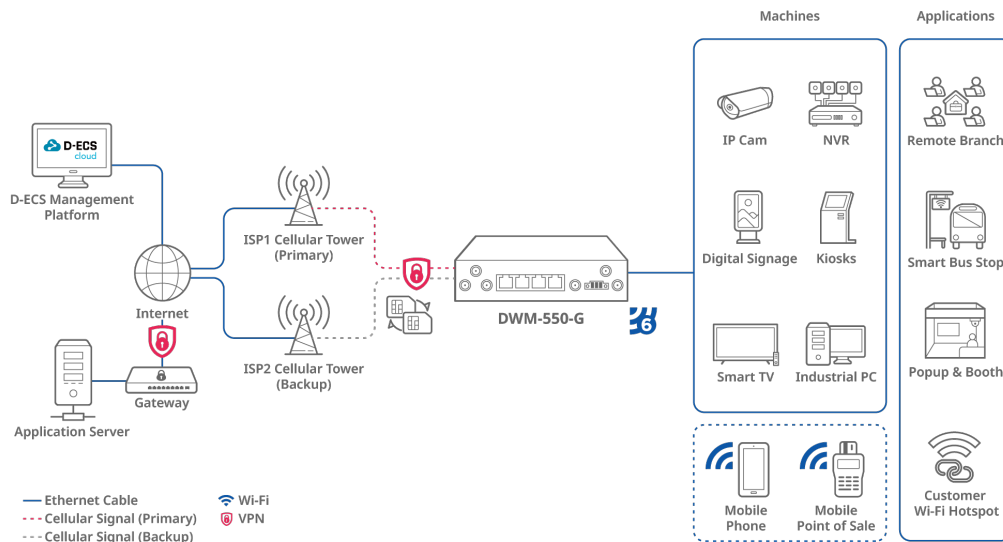
### Superior Connection Capability

Empower your operations with the DWM-550-G, which provides a backup connection in case of disruption, thereby ensuring stable connectivity. It features auto-failover, load balancing, and multiple WAN switching options to maintain superb connectivity. The failover capabilities across dual SIM cards and between 5G and Ethernet WAN connections ensure seamless service without interruptions. The device is equipped with multiple VPN protocols including IPSec, OpenVPN, PPTP, L2TP, GRE, and WireGuard. These VPN features enhance security by facilitating encrypted connections, offering versatile tunneling options, and enabling secure remote access. Whether for data protection, creating secure tunnels for remote work, or connecting multiple sites, these VPN capabilities ensure that your network remains secure and flexible.

### Suitable for Harsh Environments

The DWM-550-G is designed to withstand harsh environments with its metal casing ensuring durability and operates within a broad temperature range from -30 to 70°C. It supports a wide input voltage range of DC 12-36V. Additionally, the model features built-in Network Address Translation (NAT) and bridge mode, simplifying network setup while enhancing security and interconnectivity.

### Connection Diagram



# Specifications

## Device Interface

- Cellular: 3GPP Rel. 16, 5G (sub-6 GHz), 4G (DL Cat 19/UL Cat 18)
- SIM Slot: 2 x SIM (Nano SIM) with auto failover, optional eSIM
- Ethernet: 1 x GE WAN/LAN port, 3 x GE LAN ports
- Wi-Fi: Wi-Fi 6 AX1800 (2.4 GHz/5 GHz)
- Power Input: DC 12-36 V terminal block
- Antenna Connectors: 4 x SMA (F) cellular, 2 x SMA (RP-F) Wi-Fi

## Performance<sup>1</sup>

- Maximum Cellular Data Throughput:
  - 5G NSA: 3.4 Gbps (DL) / 550 Mbps (UL)
  - 5G SA: 2.4 Gbps (DL) / 900 Mbps (UL)
  - LTE: 1.6 Gbps (DL) / 200 Mbps (UL)
- Maximum Wi-Fi Data Rate:
  - 2.4 GHz: Up to 574 Mbps
  - 5 GHz: Up to 1201 Mbps

## WAN

- WAN Interface: Cellular, Ether-WAN, Wi-Fi
- Multi-WAN Function: Failover, load balance
- Cellular: NAT, bridge
- Ether-WAN: Dynamic IP, static IP, PPPoE
- Connection Monitoring: Ping/DNS query reboot

## Network

- LAN & VLAN: DHCP server/relay, port/tag-based VLAN
- Routing: Static, dynamic RIPv1/v2, OSPF, BGP
- DDNS: DynDNS, No-IP, dynamic DO
- QoS: Traffic priority queuing by source/destination, service

## Wi-Fi

- Function: Multi SSID, WIDS, AP router mode, station
- Security: WPA2-PSK, WPA2, WPA-PSK/WPA2-PSK, WPA3-SAE, WPA2-PSK/WPA3-SAE, WPA3, 802.1x
- Encryption: WEP, AES, TKIP/AES

## Services

- Cellular Toolkit: Data usage, SMS, SIM PIN, network scan
- Event Management: SMS, e-mail

## VPN

- VPN Tunnel: IPSec, OpenVPN, PPTP, L2TP, GRE, WireGuard
- VPN Pass Through: IPSec, PPTP, L2TP

## Security

- Firewall: SPI firewall, IPS, port forward, ALG
- Access Control: MAC/IP filter, URL blocking

## Administration

- Management: SNMPv1/2/3, D-Link D-ECS<sup>2</sup>
- Maintenance: Web UI, diagnostic tools via ping/tracert
- System: FW upgrade, backup and restore config, reboot and reset
- Logging: System log, external syslog server

## Monitoring

- Device Status: CPU/memory usage, WAN status, client list
- Cellular Status: IMSI, ICCID, operator, connection state, connected band, RSSI, SINR, RSRP, RSRQ, LAC, TAC, cell ID, MCC, MNC
- Security: VPN status, firewall status
- Statistics and Reports: Cellular signal, cellular usage

## Operating Environment

- Operating Temperature: -30 to 70°C (-22°F to 158°F)
- Storage Temperature: -40 to 85°C (-40°F to 185°F)
- Operating Humidity: 10% to 95% non-condensing
- Storage Humidity: 0 to 95% non-condensing
- Dimensions: 160 x 129 x 35 mm

## Certifications and Approvals

- Certifications: CE, UKCA, VCCI, JATE, TELEC
- Cyber Security: EN 18031-1, EN 18031-2, EN 303645

## Package Contents (Standard)

- 4 x Cellular SMA Antennas
- 2 x Wi-Fi RP-SMA Antennas
- 1 x RJ-45 Cable
- 1 x Power Adapter
- 1 x Terminal Block (3-pin)

# Available Versions

## EU SKU (HW: A1)

5G NR	n1/n3/n5/n7/n8/n20/n28/n38/n40/n41/n71/n75/n76/n77/n78
4G LTE	FDD: B1/B3/B5/B7/B8/B20/B28/B32/B71
	TDD: B38/B40/B41/B42/B43

## Global SKU (HW: A2)

### Japan SKU (HW: A3)

5G NR	n1/n2/n3/n5/n7/n8/n12/n13/n14/n18/n20/n25/n26/n28/n29/n30/n38/n40/n41/n48/n66/n70/n71/n75/n76/n77/n78/n79
4G LTE	FDD: B1/B2/B3/B4/B5/B7/B8/B12/B13/B14/B17/B18/B19/B20/B25/B26/B28/B29/B30/B32/B66/B71
	TDD: B34/B38/B39/B40/B41/B42/B43/B46 (LAA)/B48

## TWN SKU (HW: B1)

5G NR	n1/n2/n3/n5/n7/n8/n20/n25/n28/n30/n38/n40/n41/n48/n66/n71/n77/n78/n79
4G LTE	FDD: B1/B2/B3/B4/B5/B7/B8/B12/B13/B14/B17/B18/B19/B20/B25/B26/B28/B29/B30/B32/B66/B71
	TDD: B34/B38/B39/B40/B41/B42/B43/B46 (LAA)/B48

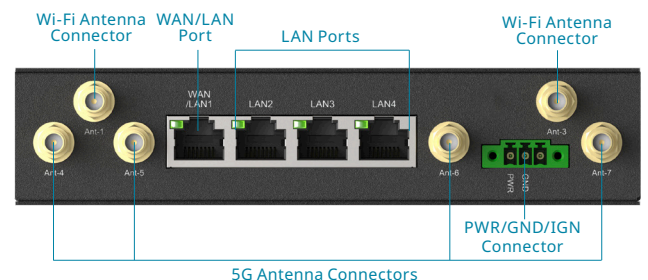
1 Data rates are theoretical. Data transfer rate depends on network capacity and signal strength.  
2 You only have to pay a M2M device license fee when applying for D-ECS license.

# Hardware

## Front View



## Back View

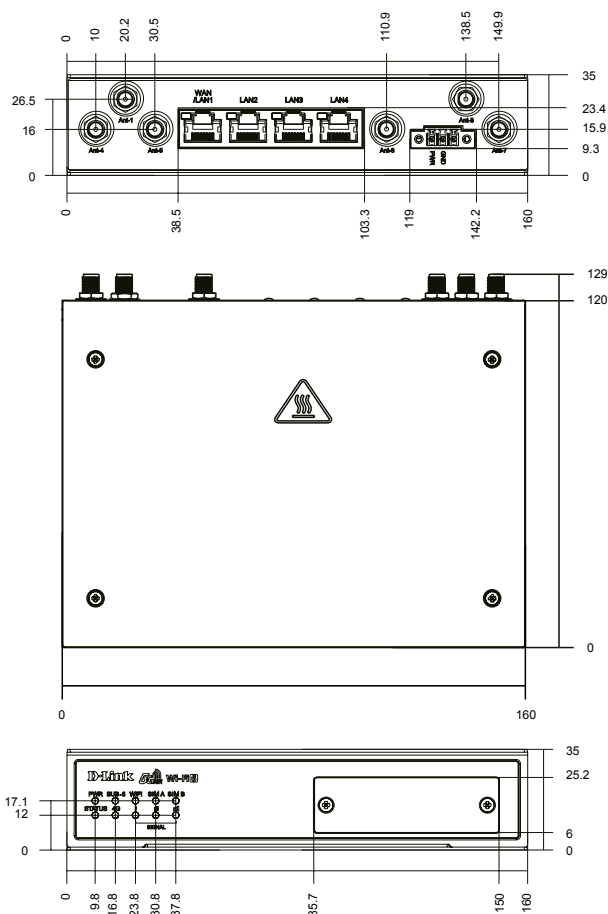


Actual performances may vary due to settings, cabling, temperature, network configuration, interface, device compatibility, environmental and on-site conditions, and other similar factors. References to power capability, signal or processing speed, signal range or distance, data encryption, storage capacity, display properties, or other performance metrics are based on optimal conditions derived from industry standards and provided for informational purposes only. Specifications may be subject to change without prior notice.

# Spatial Measurement

The following diagrams provide the product's physical dimensions measured from top, front, left, and right views for installation and integration reference.

Unit: mm



## Mounting Space Requirements

