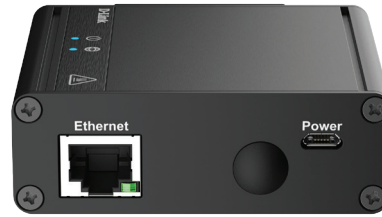


DWM-311

4G M2M Modem



Key Features



Plug and Play



GE Wired Reliability



SMS Event Management



VPN Security



Industrial Grade Design



Management Platform

Applications

- Parking Lot
- Small Shop
- Surveillance
- Self-Service

The DWM-311 4G M2M modem, with LTE Cat 4 technology, along with a Gigabit Ethernet port, ensuring fast and stable wired and wireless network connections to meet M2M application requirements.

Drive Efficiency with Reliable 4G Remote Access

Designed for effortless real-time remote access, the DWM-311 offers seamless wireless connectivity perfect for self-service vending machines. It enhances operational efficiency by supporting intelligent inventory management, automating replenishment requests to streamline deliveries and reduce costs.

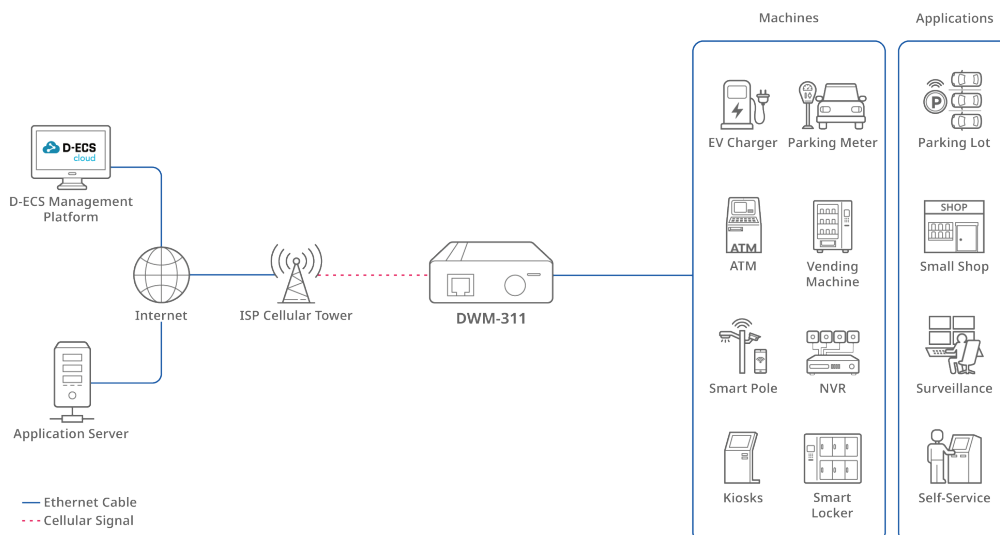
Plug and Play for Easy Installation

Simply insert a Micro-SIM card and power up; the DWM-311 instantly connects your M2M devices to the high-speed 4G cellular network. This modem's rugged, compact design is perfect for any setting, including harsh environments. Designed for effortless, real-time remote access, it provides reliable long-distance connectivity ideal for various applications. It also includes a VPN client, enhancing security and protecting data integrity across your network, making it a superb choice where quick setup and robust connectivity are crucial.

Robust Build Quality

The industrial-grade casing provides reliable high-speed connectivity in extreme conditions. The corrosion resistant zinc-plated steel case with wide operating temperature range and humidity tolerance mean that the DWM-311 is ready for the most demanding M2M applications in virtually any environment.

Connection Diagram



Specifications

Device Interface

- Cellular: 4G LTE Cat 4
- SIM Slot: 1 x SIM (Micro SIM)
- Ethernet: 1 x GE LAN port
- Power Input: DC 5 V Micro USB
- Antenna Connectors: 2 x SMA (F) cellular

Performance¹

- Maximum Cellular Data Throughput:
 - LTE: 150 Mbps (DL) / 50 Mbps (UL)

WAN

- WAN Interface: Cellular
- Cellular: NAT, bridge
- Connection Monitoring: Ping query reboot

Network

- LAN: DHCP server
- DDNS: DynDNS, No-IP, dynamic DO

Services

- Event Management: SMS

VPN

- VPN Tunnel: OpenVPN

Security

- Firewall: Port forward

Administration

- Management: D-Link D-ECS²
- Maintenance: Web UI
- System: FW upgrade, reboot and reset

Monitoring

- Device Status: Connection information
- Cellular Status: Cellular information/status, cellular signal quality
- Security: VPN status

Operating Environment

- Operating Temperature: -30 to 70°C (-22°F to 158°F)
- Storage Temperature: -40 to 85°C (-40°F to 185°F)
- Operating Humidity: 10% to 95% non-condensing
- Storage Humidity: 0 to 95% non-condensing
- Dimensions: 77.4 x 68.5 x 26 mm

Certifications and Approvals

- Certifications: CE, UKCA, FCC, PTCRB
- Approvals: AT&T, Verizon, T-Mobile
- Cyber Security: EN 18031-1, EN 18031-2, EN 303645

Package Contents (Standard)

- 2 x Cellular SMA Antennas
- 1 x RJ-45 Cable
- 1 x Power Adapter

Available Versions

EU SKU (HW: B2)

4G LTE	FDD: B1/B3/B7/B8/B20/B28A
	TDD: B38/B40/B41

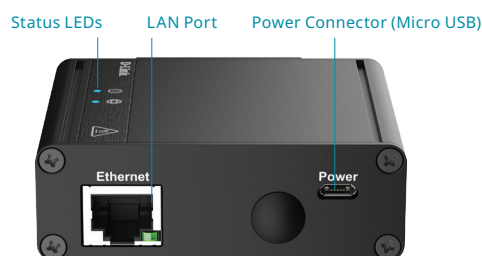
US SKU (HW: B3)

4G LTE	B2/B4/B5/B12/B13/B14/B66/B71
--------	------------------------------

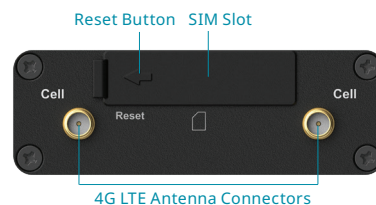
- ¹ Data rates are theoretical. Data transfer rate depends on network capacity and signal strength.
² You only have to pay a M2M device license fee when applying for D-ECS license.

Hardware

Front View



Back View

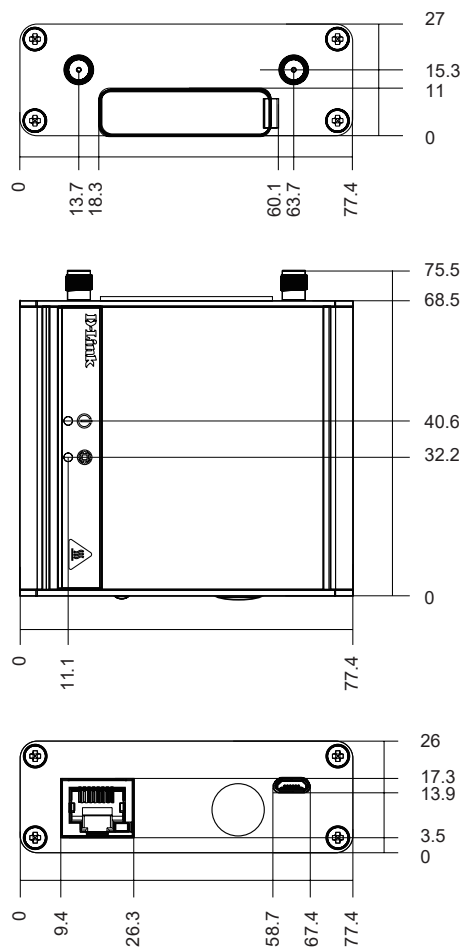


Actual performances may vary due to settings, cabling, temperature, network configuration, interface, device compatibility, environmental and on-site conditions, and other similar factors. References to power capability, signal or processing speed, signal range or distance, data encryption, storage capacity, display properties, or other performance metrics are based on optimal conditions derived from industry standards and provided for informational purposes only. Specifications may be subject to change without prior notice.

Spatial Measurement

The following diagrams provide the product's physical dimensions measured from top, front, left, and right views for installation and integration reference.

Unit: mm



Mounting Space Requirements

